

# Technical Data Sheet

## L Feet Mount System



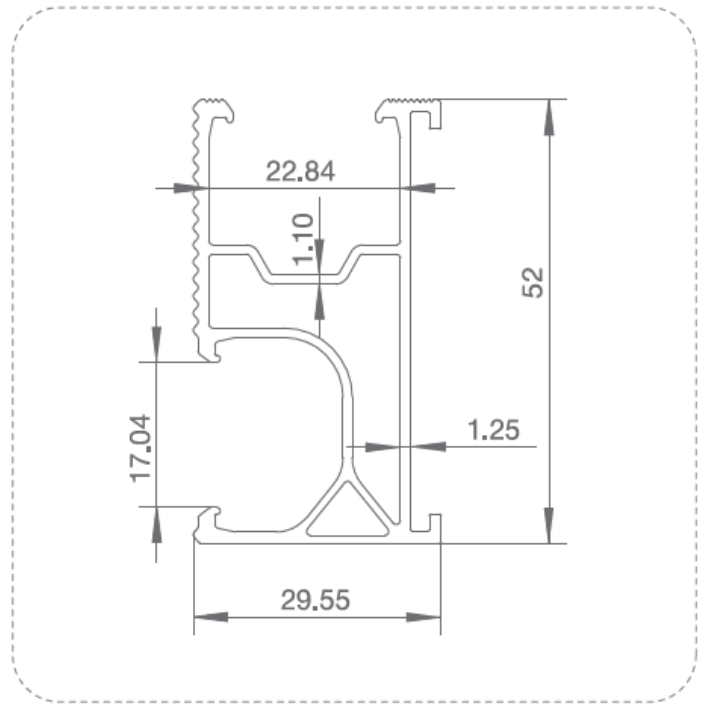
10 YEARS  
WARRANTY



## Item No.: WQ-5R

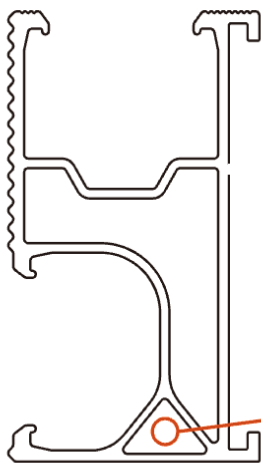
Length: 4600/4500/4200 mm or customized

### Dimensions in mm

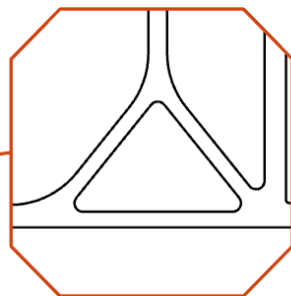


### Section characteristics

Cross section area	$A=256.44 \text{ mm}^2$
Thickness	$t=1.25 \text{ mm}^2$
Section area moment	$S_3=1851.55\text{mm}^3, S_2=1174.93\text{mm}^3$
Moment of inertia	$I_3=73040.08\text{mm}^4, I_2=25980.17\text{mm}^4$
Cross section modules	$W_3(\text{min})=2634.66\text{mm}^3, W_2(\text{min})=1754.98\text{mm}^3$

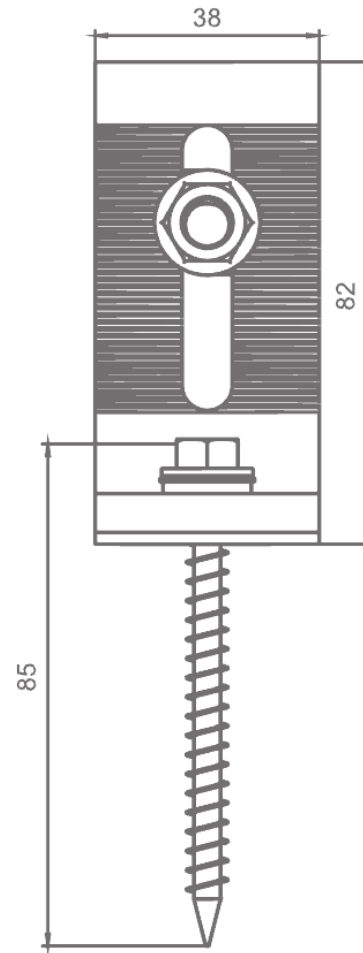


Compressive properties has been greatly increased by unique tripod structure.





Dimensions in mm



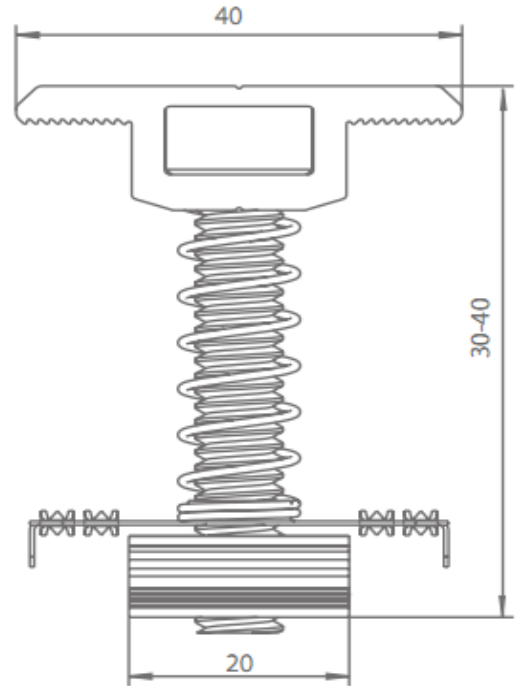
Item No.: WQ-AH-01

### Component list

Part name	Quantity	Specification	Material
L foot	1	82*38	Anodized Aluminium 6005-T5
Nut Kits (Include nut,flange,bolt)	1	/	Stainless Steel 304 & AL6005-T5
Wooden screw (Option)	1	M6.3*63/80/100	Carbon steel
Self-drilling screw (Option)	1	M6.3*63/80/100	Stainless Steel SUS410
Hexagon bolt (Option)	1	M8*25	Stainless steel 304

<b>Scope of Application</b>	Flat or pitched roofs with trapezoidal sheet metal roofing
	Corrugated sheet metal roofing
	Standing seam roofing with clamp

Dimensions in mm



**Item No.: WQ-EIC-30-40**

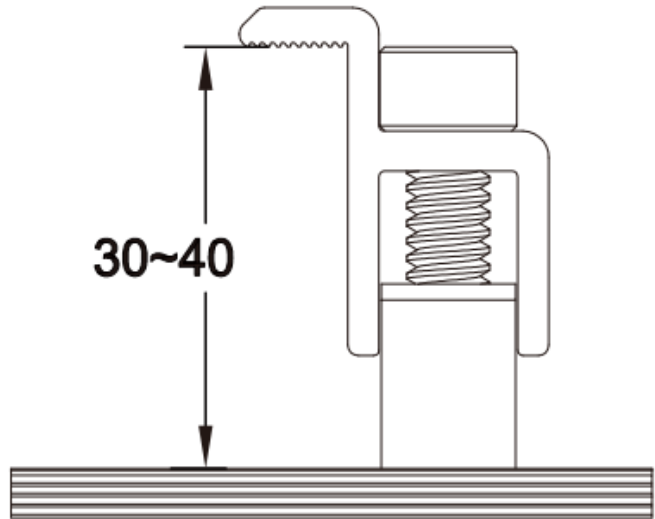
## Component list

Part name	Quantity	Specification	Material
Mid clamp	1	40*38	Anodized Aluminium 6005-T5
Nut	1	N5	Anodized Aluminium 6005-T5
Spring	1	45	Stainless steel 304
Grounding Clip	1	M8 closed	Stainless steel 304
Hexagon bolt	1	M8*45	Stainless Steel 304

## Technical data

Ultimate tensile strength	Avg 4.87KN
Scope of application	Used with rail 5# Rail system only
Compatible module	Framed modules
Size available	30-40

Dimensions in mm



**Item No.: WQ-AEC-30-40**

## Component list

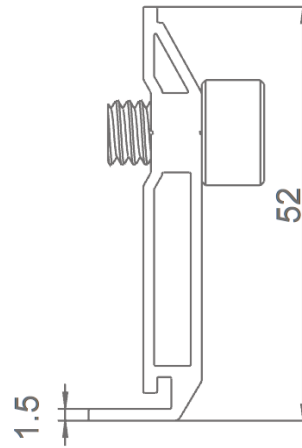
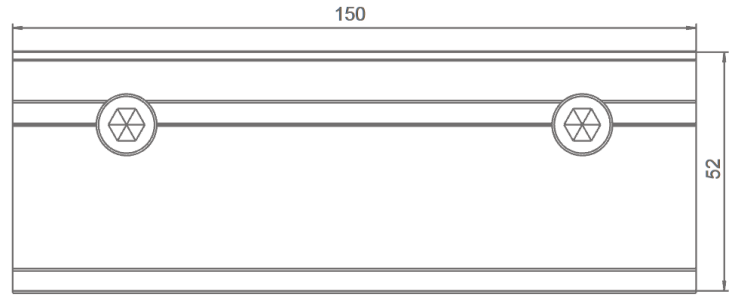
Part name	Quantity	Specification	Material
End clamp	1	40*38	Anodized Aluminium 6005-T5
Nut	1	N5A	Anodized Aluminium 6005-T5
Hexagon bolt	1	M8*25	Stainless Steel 304

## Technical data

Ultimate tensile strength	Avg 4.87KN
Scope of application	Used with rail 5# Rail system only
Compatible module	Framed modules
Size available	30-40



Dimensions in mm



**Item No.: WQ-AEC-30-40**

## Component list

Part name	Quantity	Specification	Material
Rail Splice	1	150*52	Anodized Aluminium 6005-T5
Hexagon bolt	2	M8*10	Stainless Steel 304

## Technical data

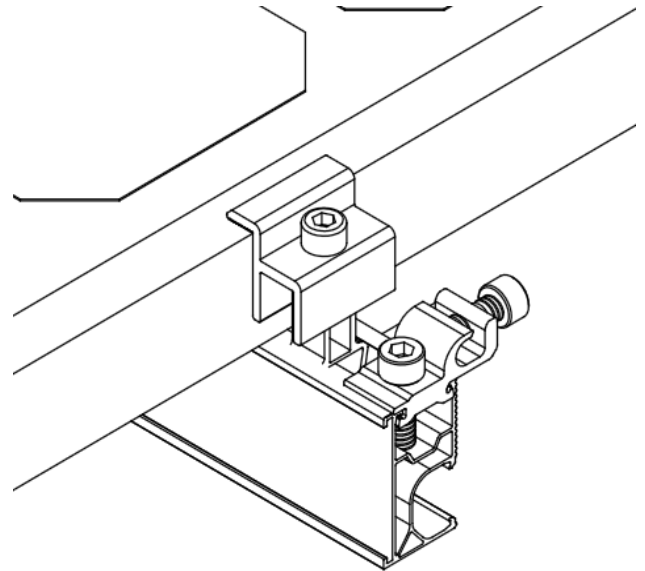
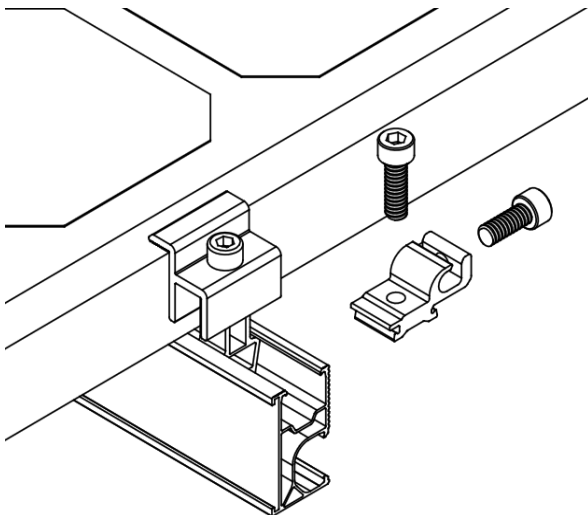
Ultimate tensile strength	Avg 4.48KN
Scope of application	Used with rail 5# Rail system only
Compatible module	Framed modules
Size available	150mm



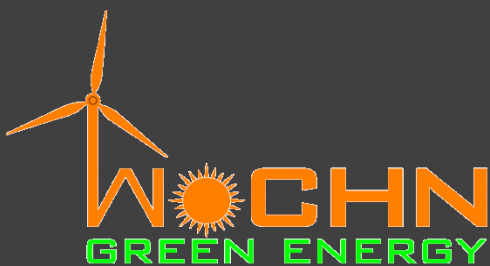
Grounding lug to be installed at the edge of the rail, 2 pcs each array. The installation is extremely simple by tightening the screw to pierce the rail oxidation. Grounding lug for connecting approach rail and make electrical through complete solar system

**Item No.: WQ-GL-R3**

## Installation



**Creating the greatest value for you  
In worldwide**



**Wochn Green Energy Co.,Ltd**

Add: Xicen Building 349, Qingpu District, Shanghai,China

Tel: 0086-21-39519802

Mob: 0086-15721481648

Email: [sales@wochmount.com](mailto:sales@wochmount.com)

Web: [www.wochmount.com](http://www.wochmount.com)