



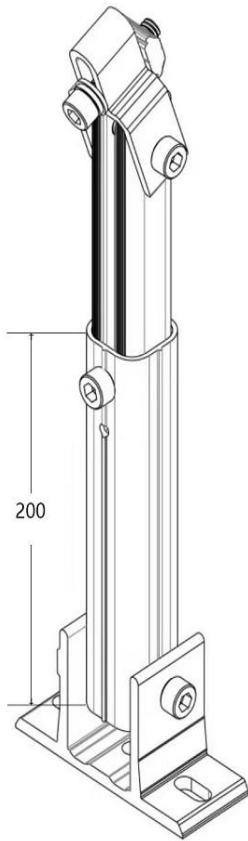
# Technical Data Sheet

## Adjustable Tilt Mount System

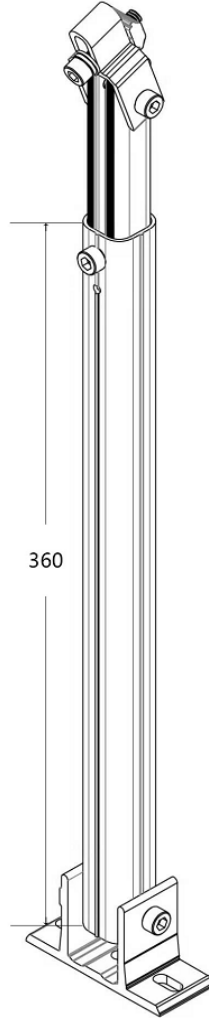


**10 YEARS  
WARRANTY**

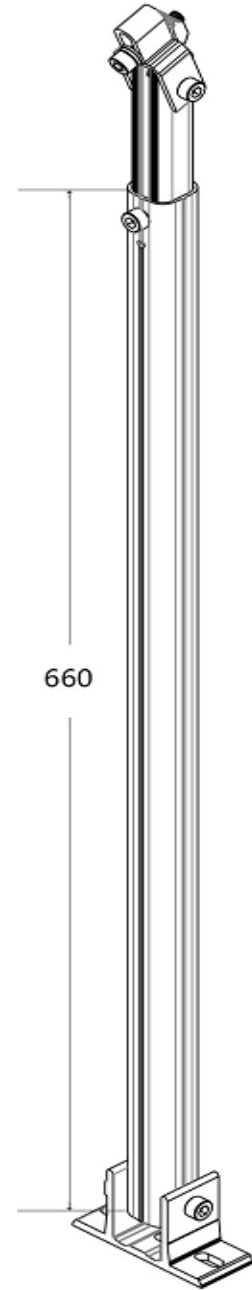
Dimensions in mm



**WQ-AD2-1015**



**WQ-AD2-1530**

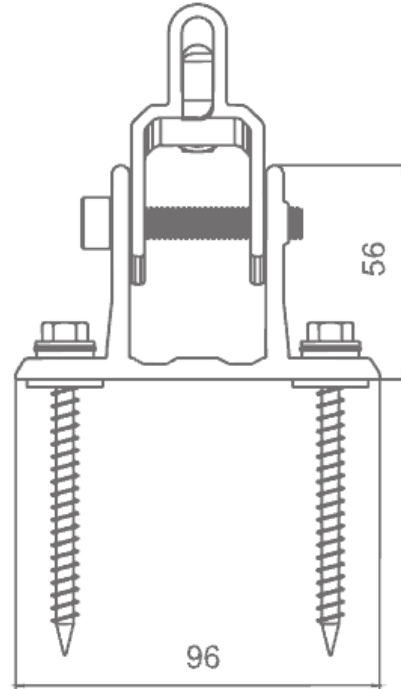
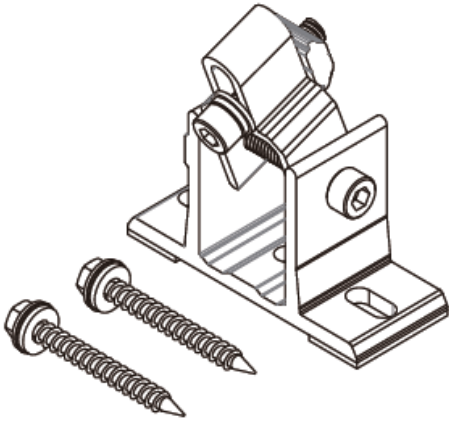


**WQ-AD2-3060**

Item NO	Description	Material
WQ-AD2-1015	10-15 deg adjustable rear leg	Anodized Aluminium 6005-T5 with SUS 304 hardware
WQ-AD2-1530	15-30 deg adjustable rear leg	Anodized Aluminium 6005-T5 with SUS 305 hardware
WQ-AD2-3060	30-60 deg adjustable rear leg	Anodized Aluminium 6005-T5 with SUS 306 hardware
<b>Application</b>	Attached with drilling screw for trapezoid metal sheet roof	
	Attached with expand bolt for blocks on flat concrete roof	
	Attached with flange screw on standing seam sheet roof	

## Adjustable Front Leg

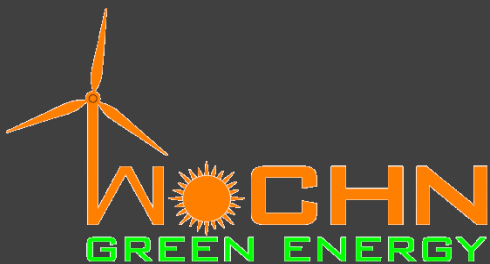
Dimensions in mm



**Item No.: WQ-AD2-F**

Item NO	Description	Material
WQ-AD2-1015	10-15 deg adjustable rear leg	Anodized Aluminium 6005-T5 with SUS 304 hardware
<b>Application</b>	Attached with drilling screw for trapezoid metal sheet roof	
	Attached with expand bolt for blocks on flat concrete roof	
	Attached with flange screw on standing seam sheet roof	

**Creating the greatest value for you  
In worldwide**



**Wochn Green Energy Co.,Ltd**

Add: Xicen Building 349, Qingpu District, Shanghai,China

Tel: 0086-21-39519802

Mob: 0086-15721481648

Email: [sales@wochmount.com](mailto:sales@wochmount.com)

Web: [www.wochmount.com](http://www.wochmount.com)